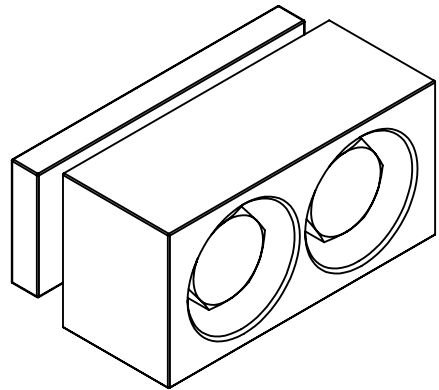
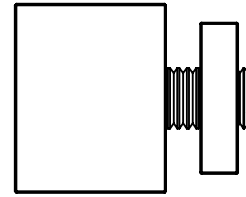
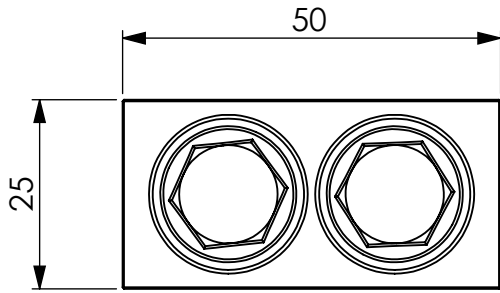


Passing on and duplication of this document, use and communication of its contents are prohibited unless expressly permitted. Non-compliance will result in compensation for damages. All rights reserved in the event of patent or utility model registration.



**eepos**

**eepos GmbH**

Zum Scherbusch 1  
D - 51674 Wiehl  
Tel +49 2261 54637 0  
Fax +49 2261 54637 129

Produktname/Product name:

**Endanschlag verstellbar**

**End stop adjustable**

Article number:

**0012012\_SMP**

Revision:

**5**

Material:

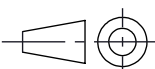
Surface: -

Weight [g]:

Origin:

Scale: 1:1

Size: A4



Design:

Approved:

Date:

Date:

